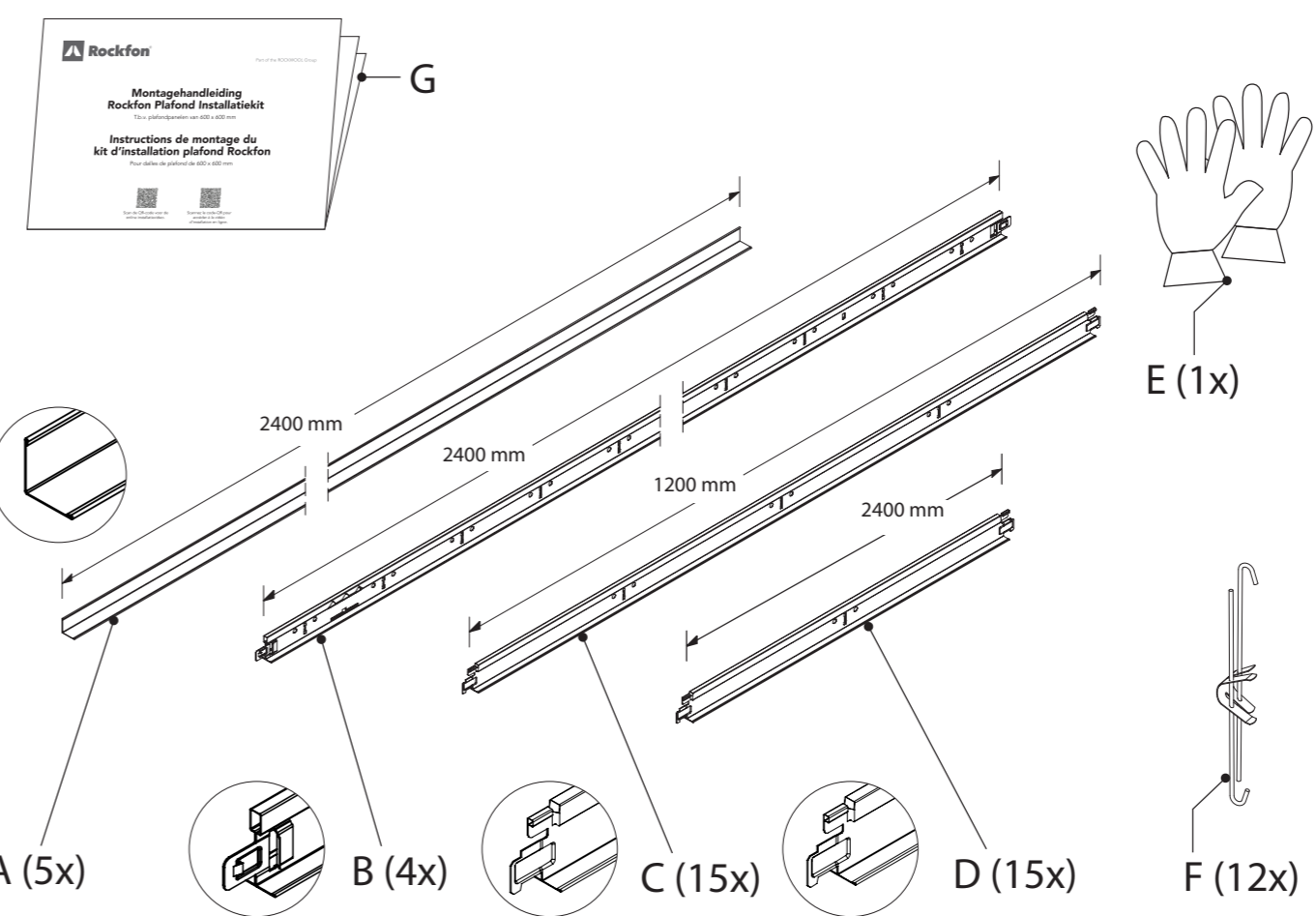


# Assembly Manual Rockfon Ceiling Installation Kit

For 600 x 600 mm ceiling tiles



Scan the QR code for an installation video.



- A: 2400 mm Wall profile
- B: 2400 mm Main Profile
- C: 1200 mm Cross section
- D: 600 mm Cross section
- E: - 1 Set of gloves
- F: - Quick suspension hangers
- G: - Assembly Manual

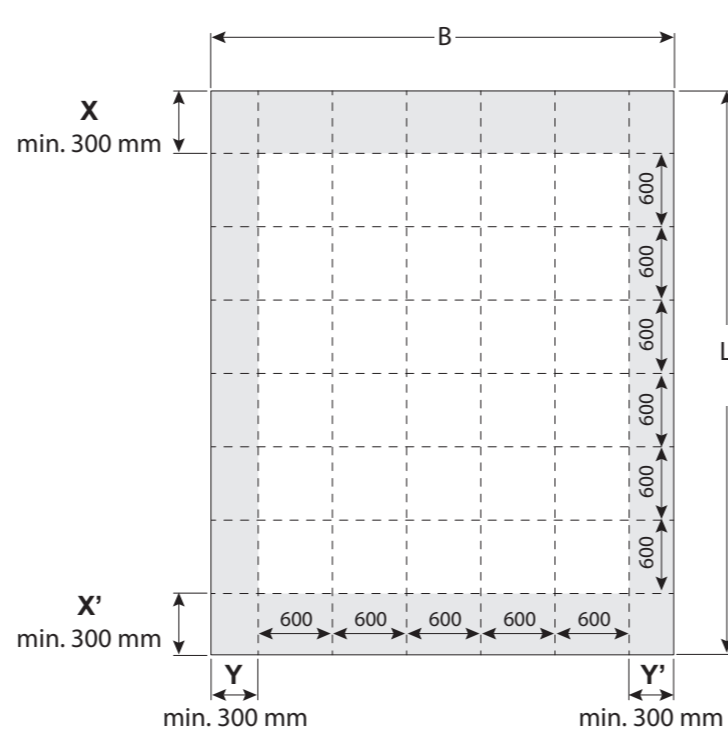
Fixings necessary for the suspension hangers will depend on the soffit/substrate and are therefore not included.

**2** Sketch the ceiling layout on the grid form

Quickly and easily create an automatic sketch via the calculator tool on our website. Scan the QR code.

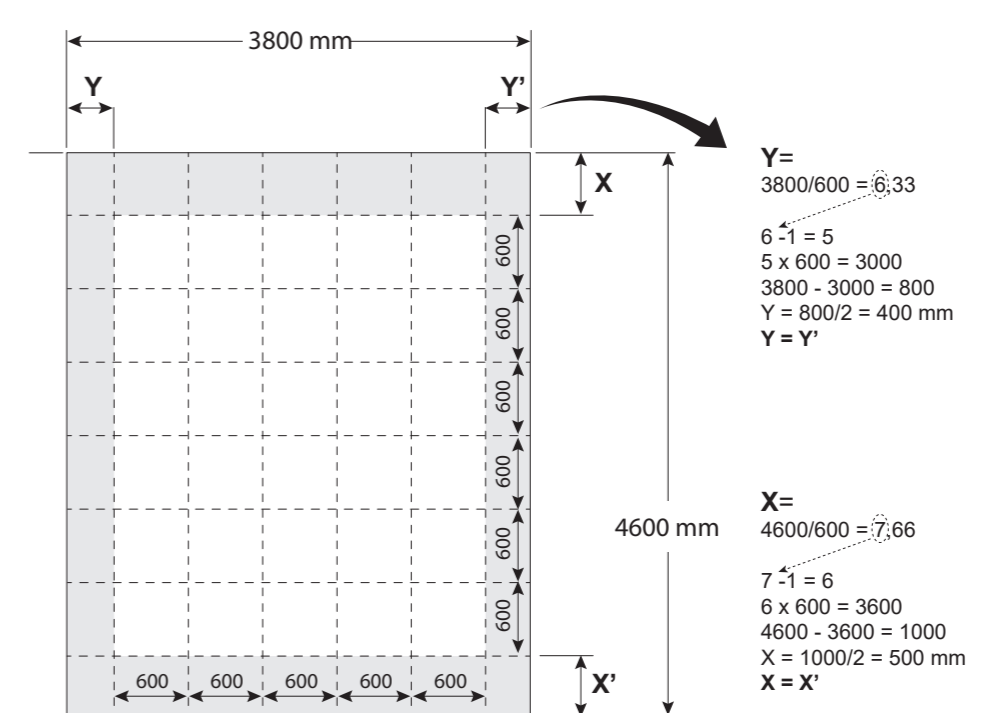


Determine the layout of profiles using the grid form. Arrange the ceiling symmetrically.

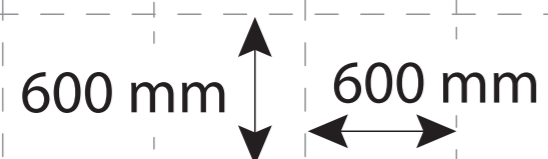


**Example**

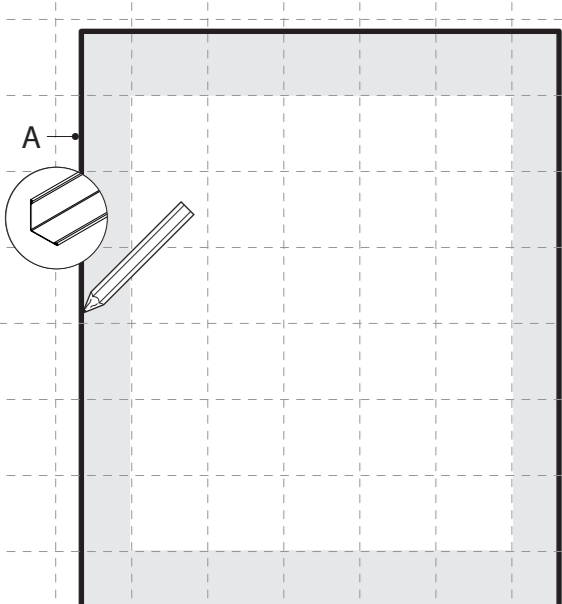
For example, if B= 3800 mm and L = 4600 mm



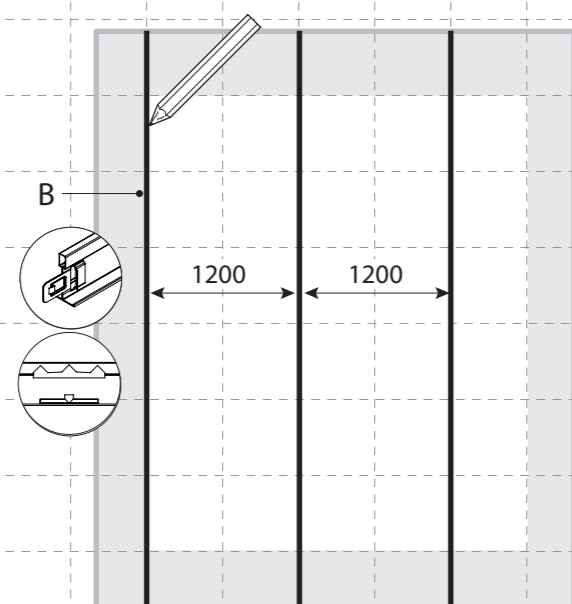
Grid form



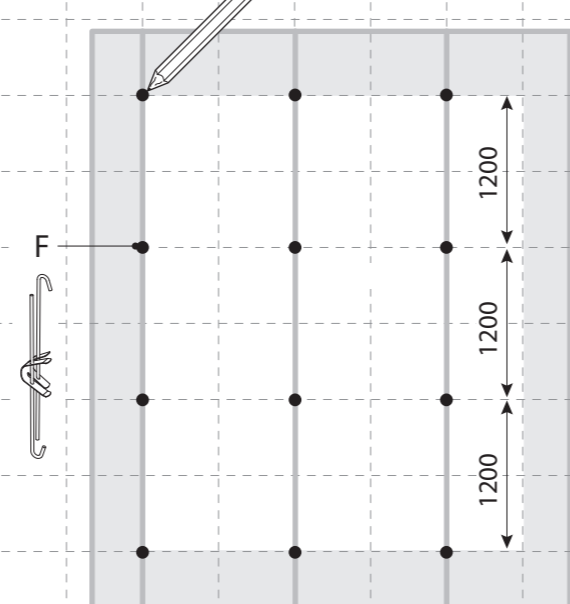
Sketch



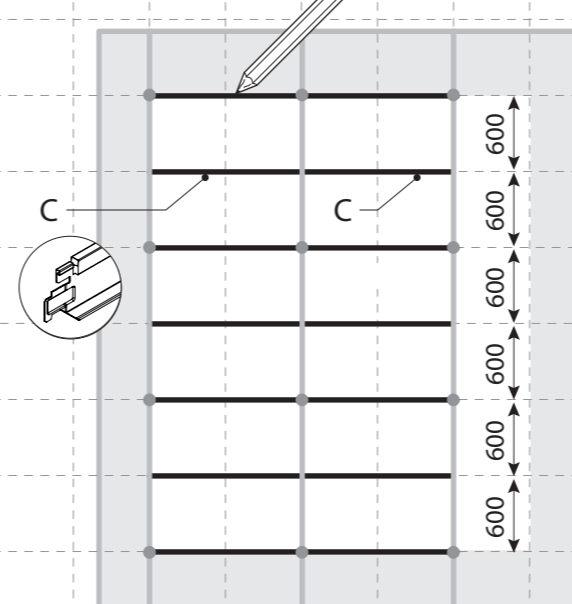
Draw perimeter space.



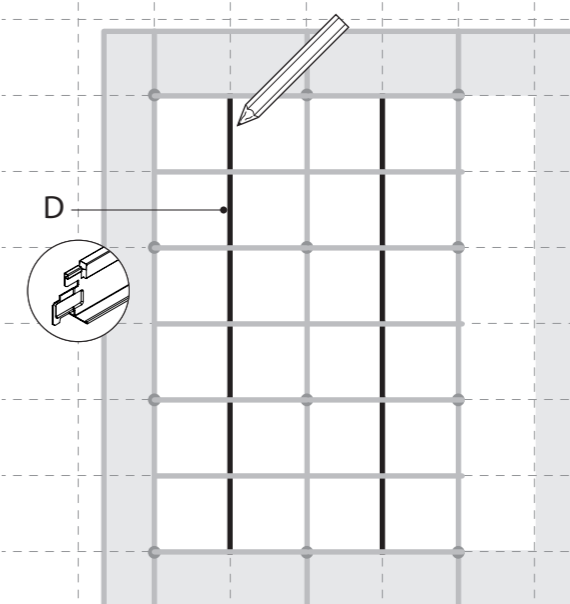
Determine and draw main profiles.



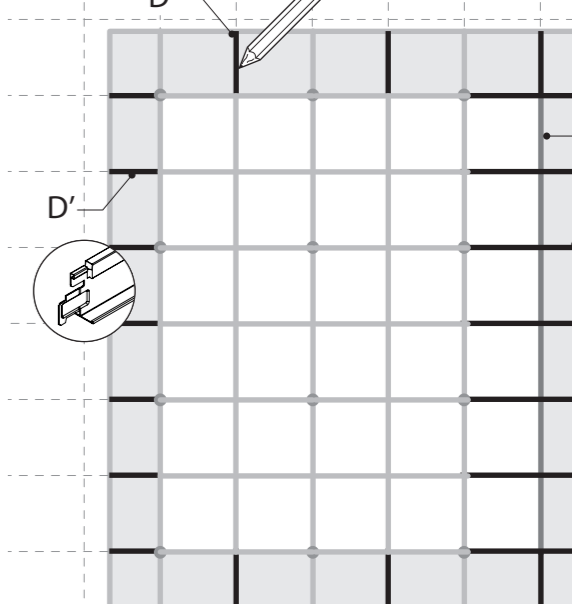
Determine and draw suspension points.



Draw cross sections 1200mm.

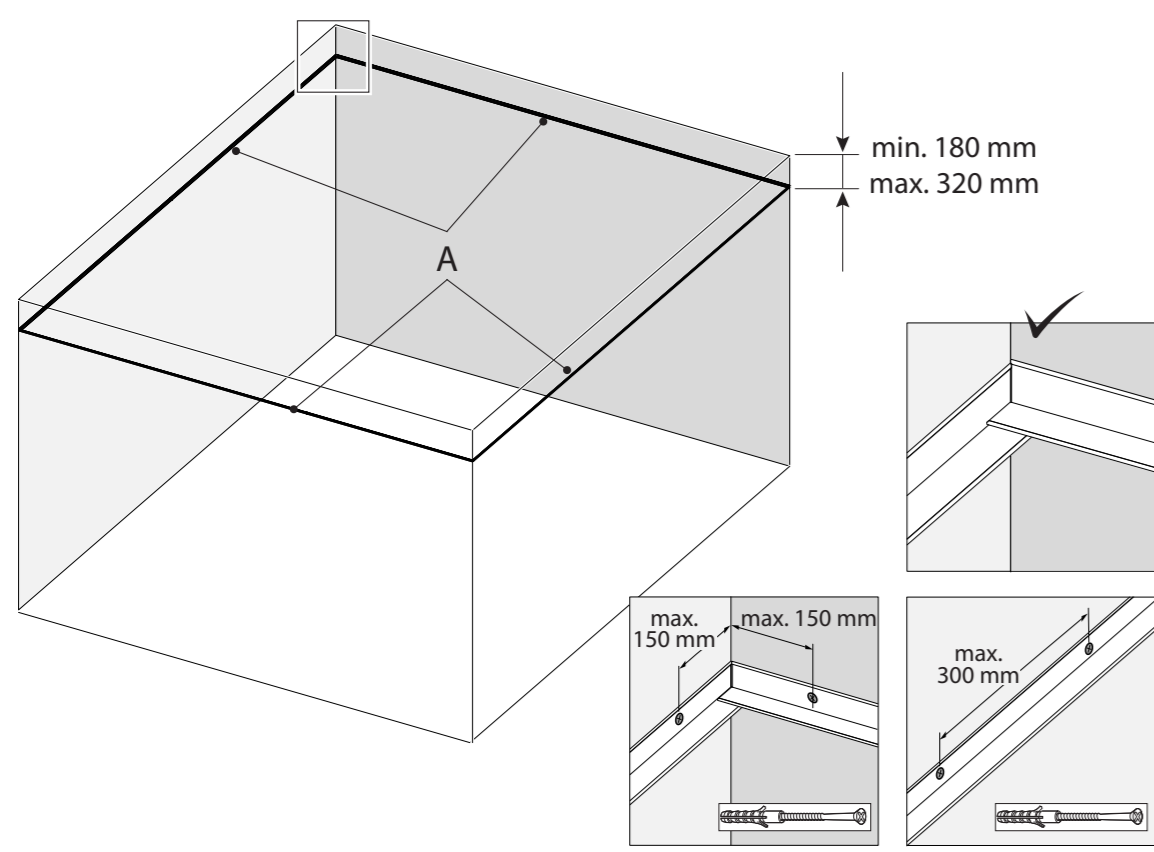


Draw cross sections 600mm.

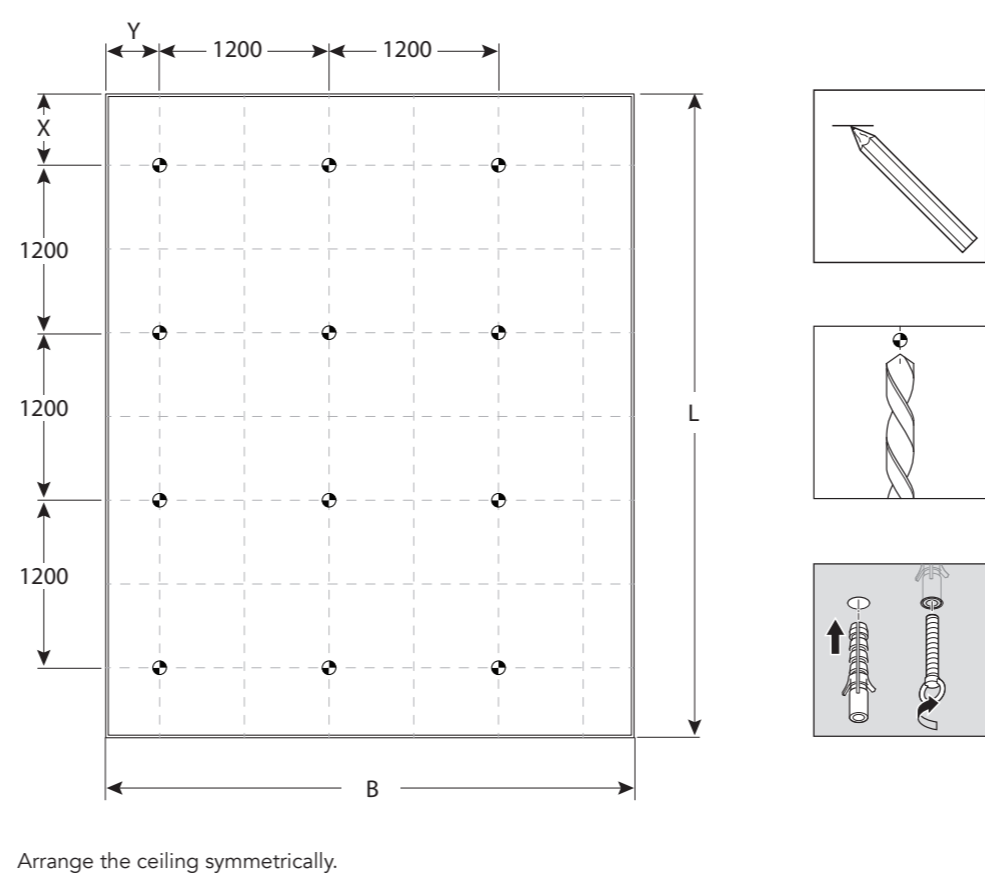


Draw in fitting profiles.

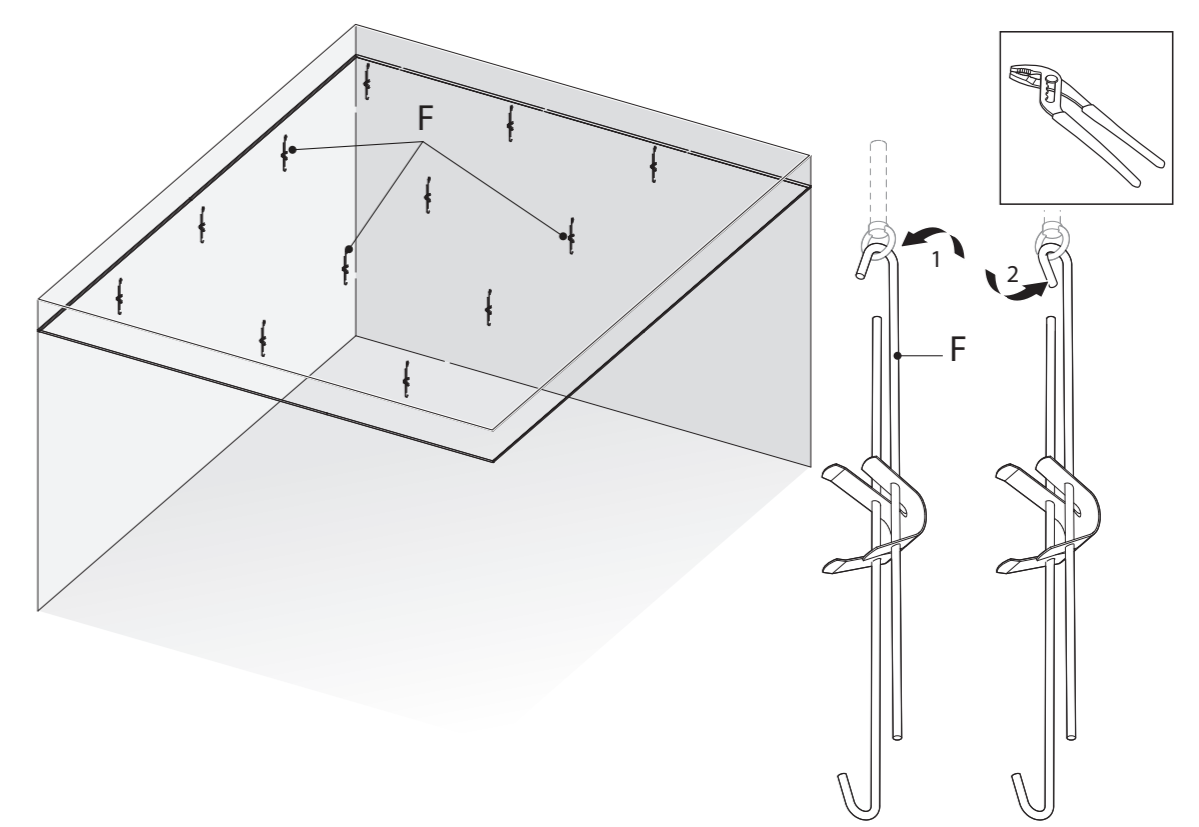
### 3 Mount wall profile (A)



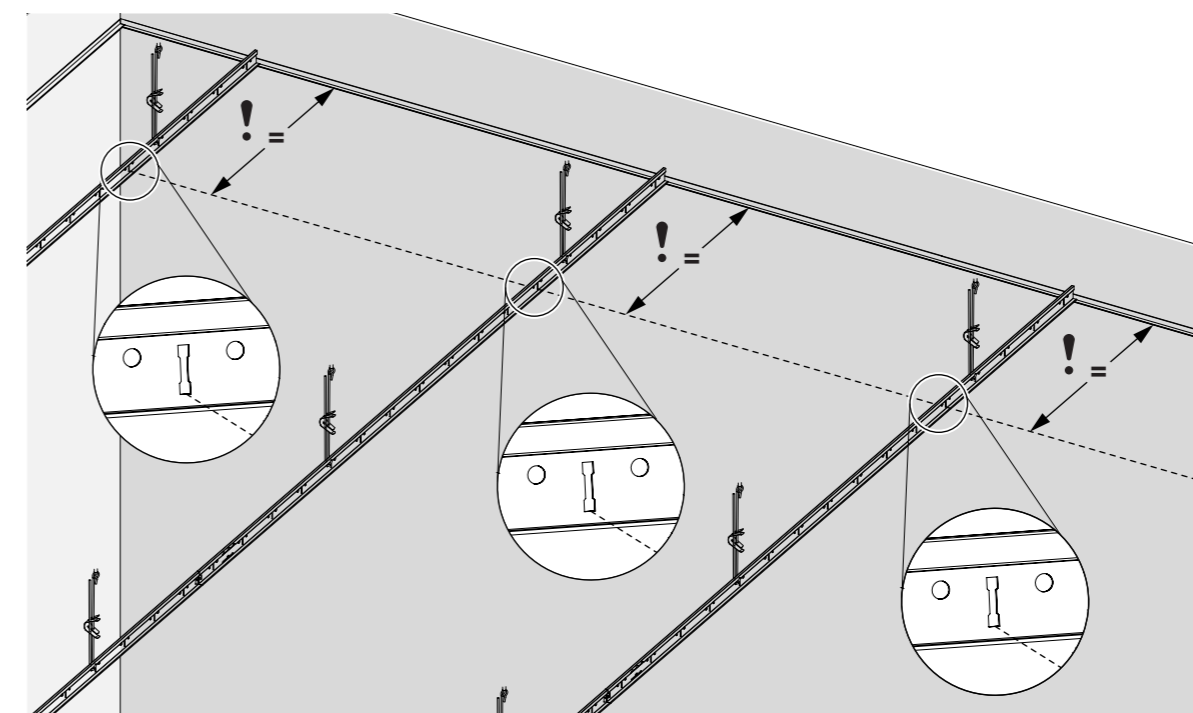
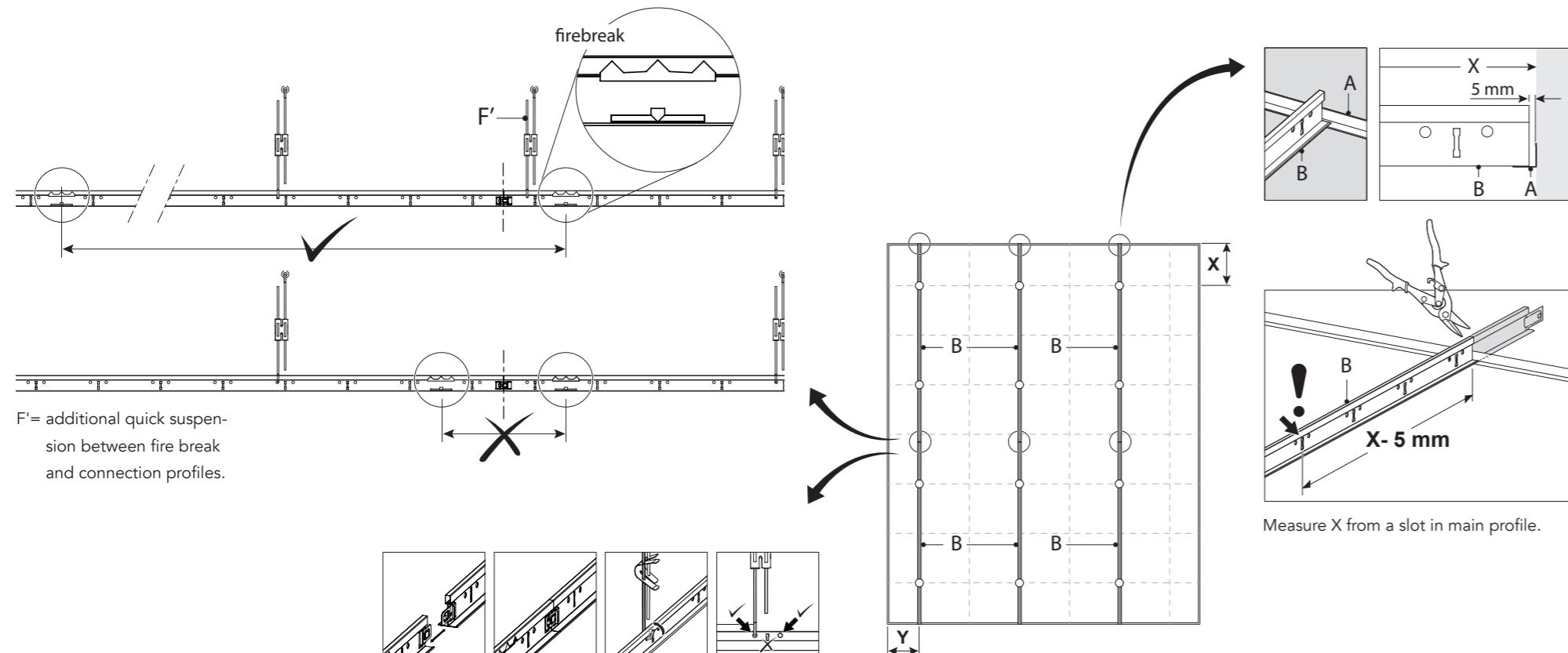
### 4<sup>a</sup> Drill suspension points



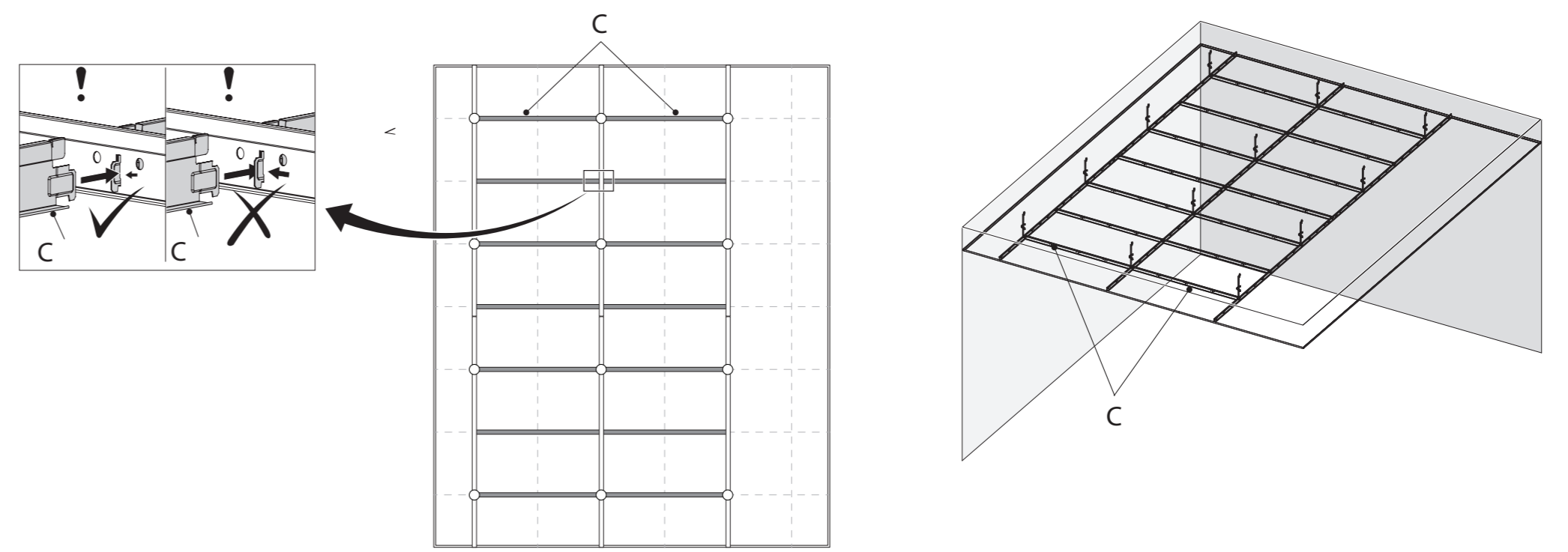
### 4<sup>b</sup> Mount quick-release hangers (F)



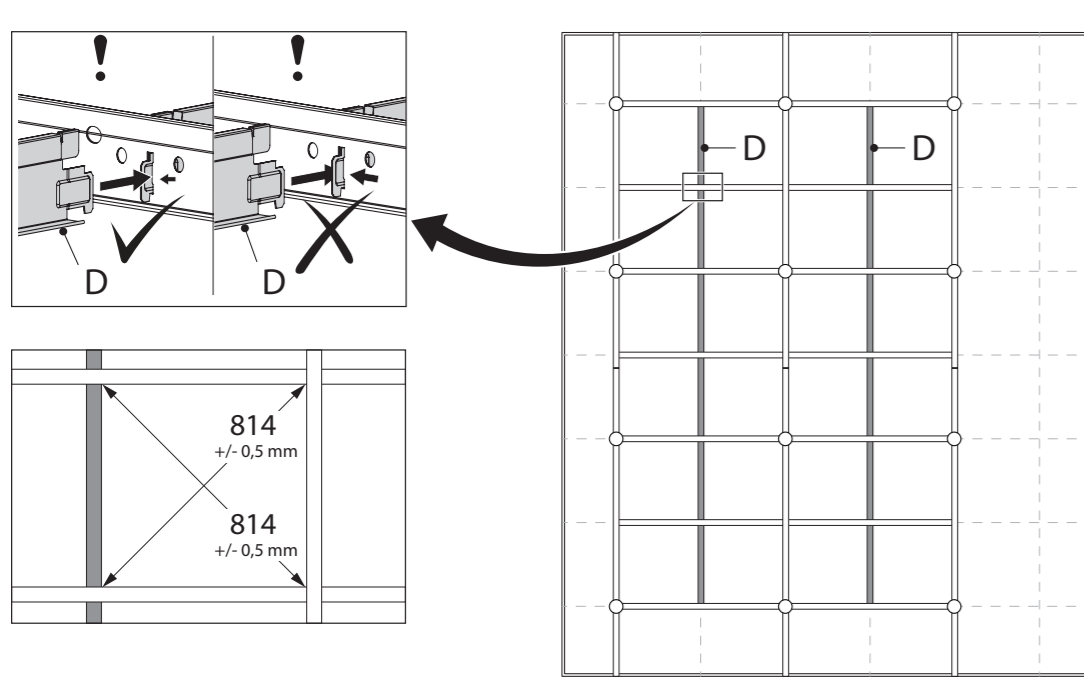
### 5 Mount main profiles (B)



### 6 Mount cross profiles (C)

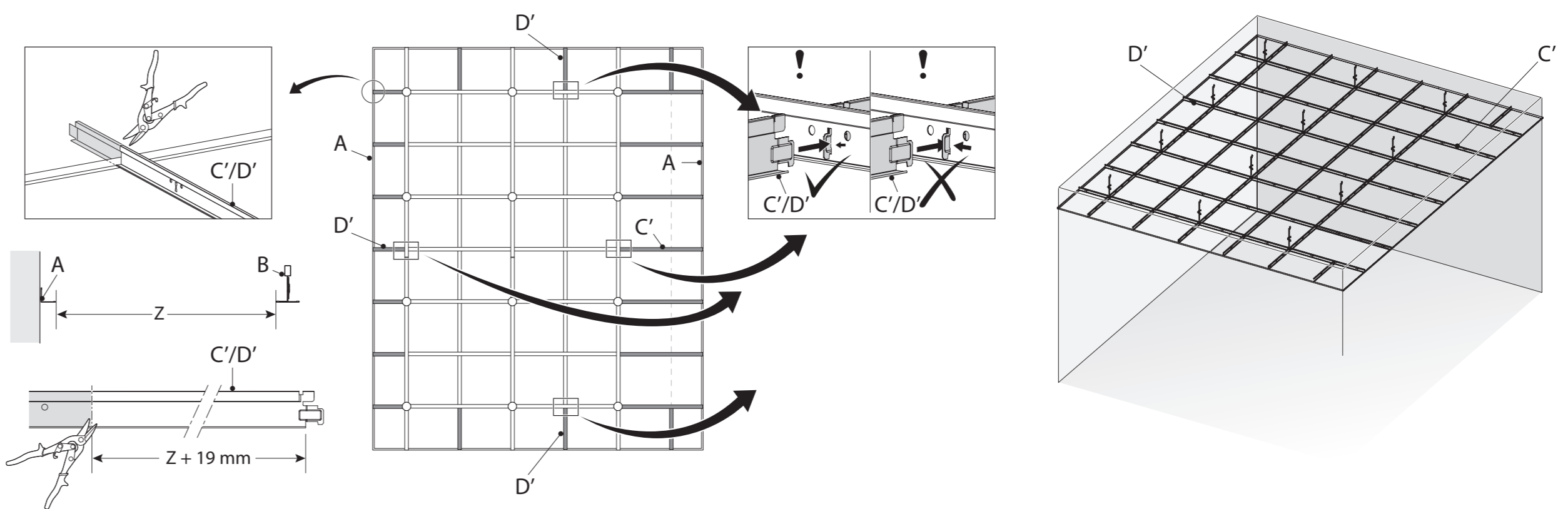


### 7 Mount cross profiles (D)

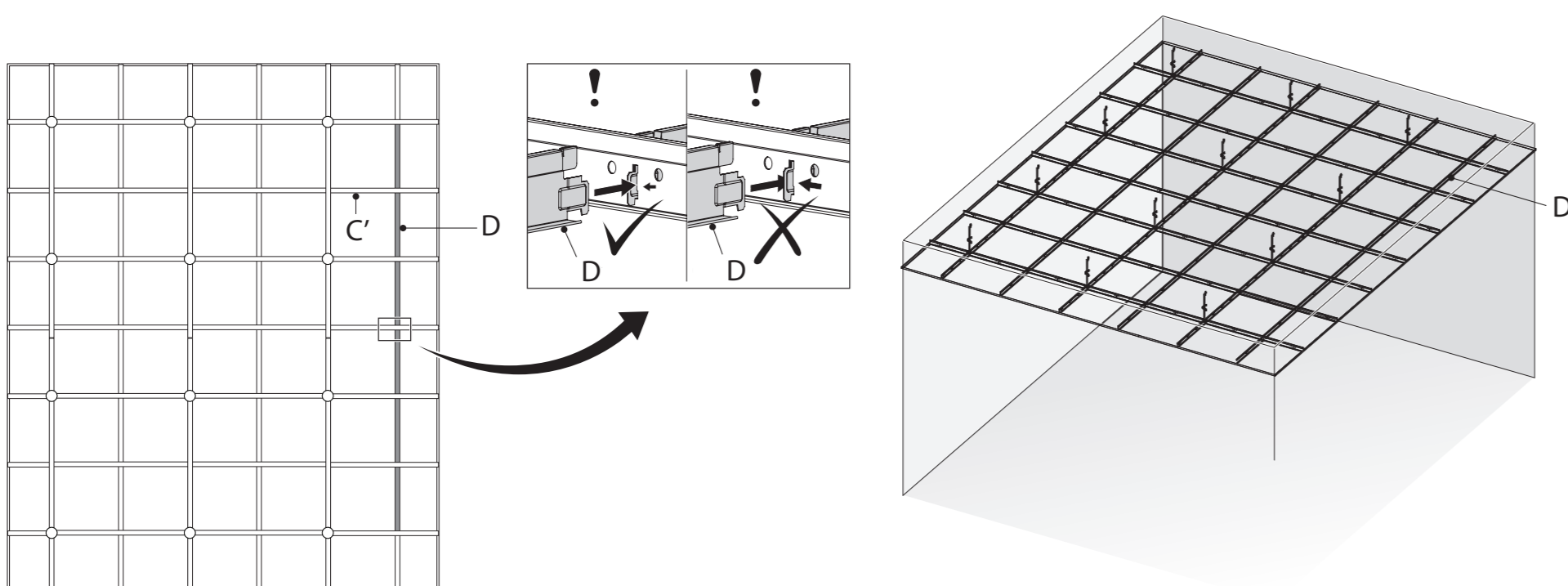


Check the size of the diagonals (814 mm +/- 0.5).

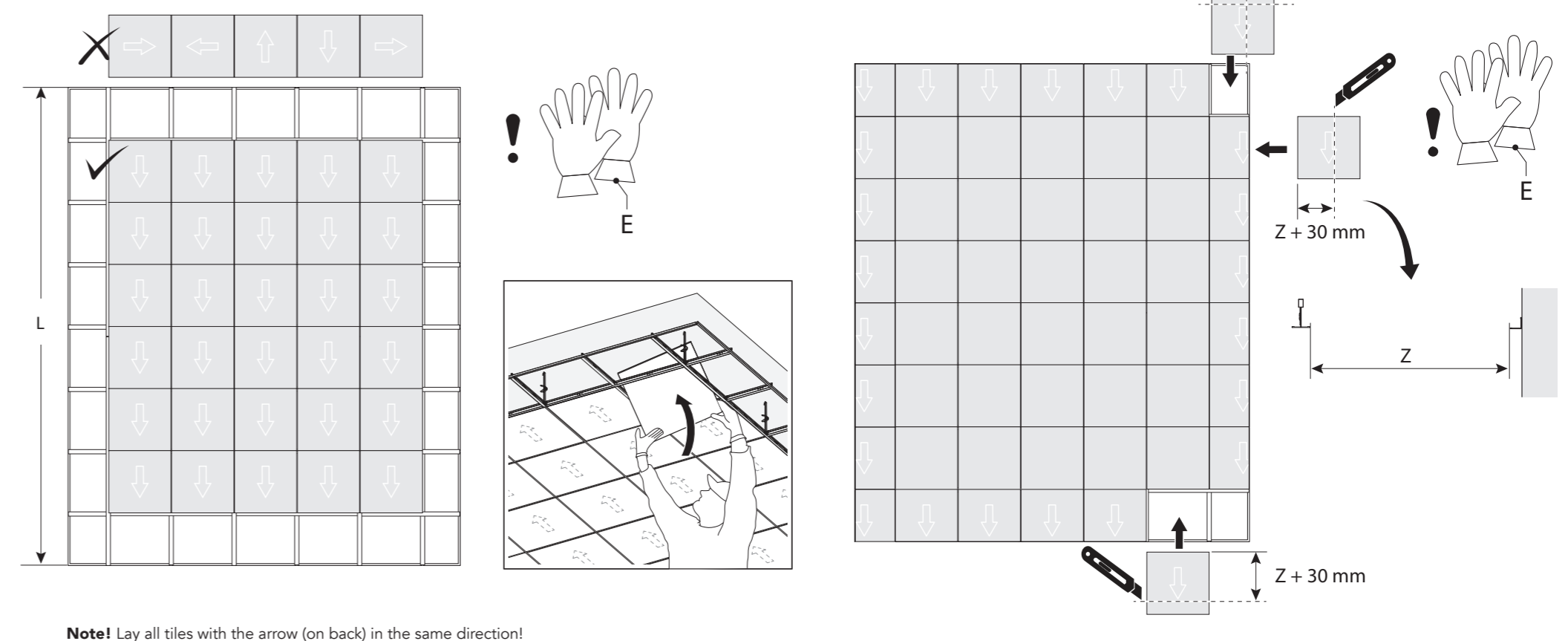
### 8 Mount fitting profiles



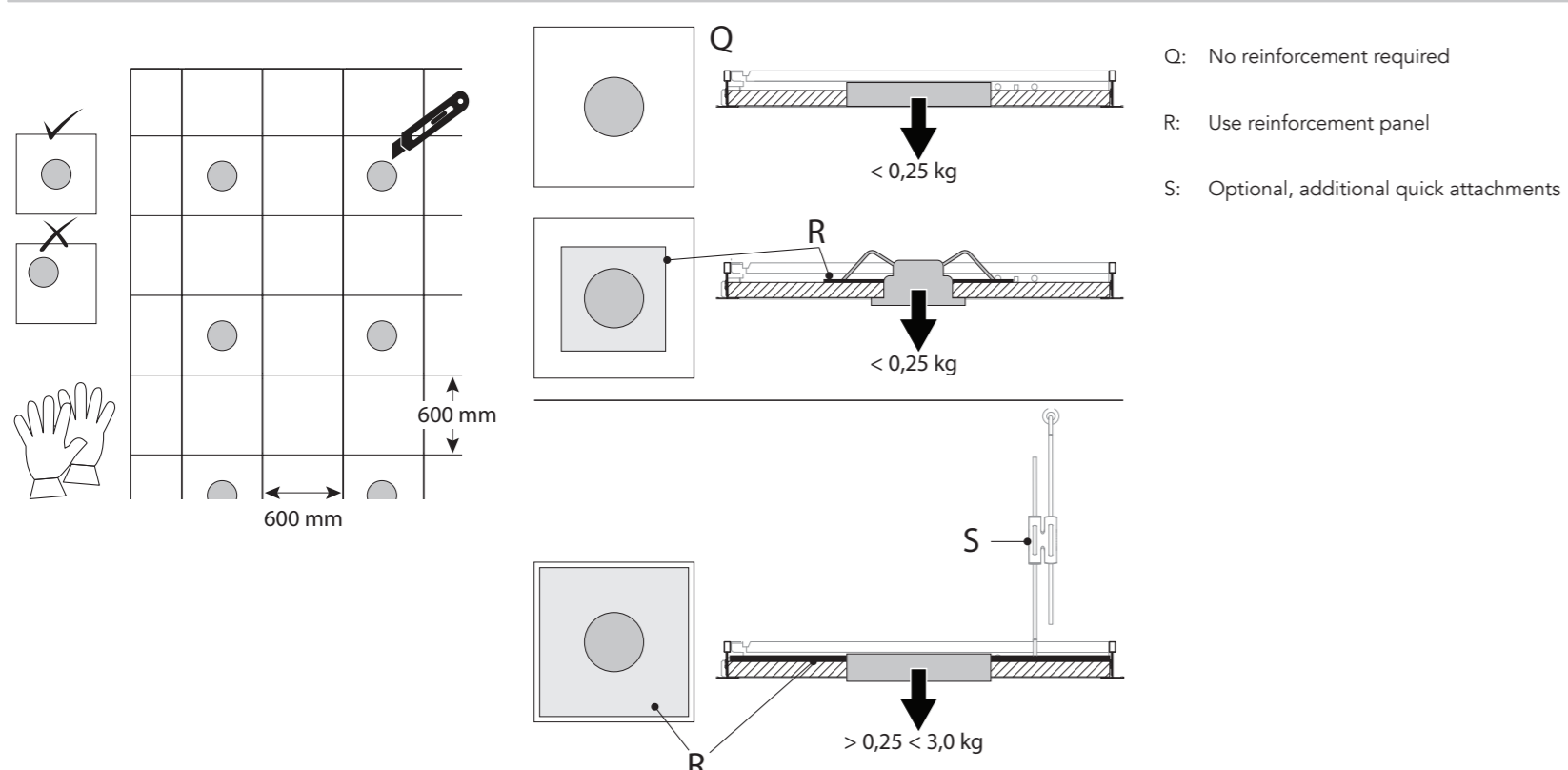
### 9 Mount 600 mm cross profiles



### 10 Mount ceiling tiles



**Option:** To insert downlights, spotlights, smoke detectors, speakers, etc.



**Option:** Recessed lighting fixtures, air vents

